

VT231-A222-A Series

2.0 Megapixel Starlight IR Network Dome Camera

Infinova[®]
The Integrator's Manufacturer



- Inbuilt 22X HD integrated camera module
- 1/1.9" large area progressive scanning CMOS sensor
- ICR infrared filter type automatic switch to realize true day/night surveillance
- Starlight - level ultra - low illumination: 0.0002 lux
- Supports multi - frame composite pattern wide dynamic and the maximum dynamic range is 120dB
- Inbuilt efficient infrared lamps, wave length 850nm, ensure stable long - term use and reduce maintenance cost
- Night vision distance up to 120m
- The ways of turning on the infrared lamps can be flexible to meet diversified surveillance environment demands
- The infrared power is adjusted automatically based on dome drive zooming or manually to optimize the night vision fill - in light effects
- HD network video output: 1920×1080@30fps
- Features smart functions to achieve border protection (wire cross, intrusion), characteristic protection (scene change, defocus, too-dark and too-bright detecting), etc.
- H.265+M - JPEG or H.264+M - JPEG video encoding, three streams
- Supports embedded storage/NAS storage
- Mirror storage function
- Supports scheduled recording, alarm recording and event recording (including network disconnected)
- Supports alarm, event and scheduled screenshots
- Bi - directional audio, ADPCM/G.726/G.711a/G.711u standard optional
- Two alarm inputs and one alarm output
- Supports servo feedback mechanism and multiple alarm-triggered ways, such as IO input, network disconnected, motion detection, smart detection, etc.; supports flexible alarm associated configurations, such as

- I/O output, email, FTP picture-uploading, audio and TF card recording
- Supports Privacy Masks, 4 regions dividable
- Supports Region of Interest (ROI), 8 regions dividable
- Password Protection
- Allows multiple users to perform live access and parameters settings via Web Server
- Supports preset, autopan, pattern, autoscan, time tour, normal tour, power - on return, etc.
- Supports Auto-Flip
- Compatible with Infinova digital video surveillance software and convenient to integrate with other video surveillance software
- Supports ONVIF Profile S standard
- Standard SDK, easy to integrate with other digital system
- Supports RS485 control and analog video output for easy debugging
- IP66 protection rate, inbuilt a heater and air circulation system to avoid icing
- Supports remote network upgrade

VT231-A2 -A3 series is our newly introduced high definition infrared network dome camera that supports 1920×1080@60fps HD network video output. It adopts H.265/H.264/M - JPEG encoding and its output provides excellent definition and color revivification degree which enables the acquisition of rich and accurate details so as to effectively guarantee smart analysis accuracy.

The cameras carry smart functions and support wire cross, instruction as well as scene change, defocus, too-dark and too-bright detecting. With its safe, professional and reliable smart analysis, it can satisfy various upmarket applications.

This product adopts large power LED infrared lamps, infrared wave length 850nm, long night vision distance up to 120m, strong illumination. The IR lamps can turn on or off automatically based on environmental lighting conditions or can be adjusted manually. The

IR illumination allows flexible adjustment so as to reduce IR lamp calorific value and extend its service life.

User - friendly GUI interface design allows users to perform dome PTZ control easily via network and to configure detailed camera parameters settings. At Web interface users can perform dome camera settings and operations by using a mouse which is more convenient than the traditional keyboard control. It also supports area zoom and image PTZ function.

VT231-A2 -A3 series dome cameras also feature general dome functions such as preset, pattern, autopan, autoscan, time tour and normal tour.

Technical specifications

Lens

Optical Zoom	22X
Image Sensor	1/1.9" Sony progressive scanning CMOS sensor
Aperture/Focal Length	F1.5~F3.4, f=5.11~112.42mm
Angle of View	70° (Wide) ~ 3.76° (Tele)
Min. Work Distance	0.5m (Wide) ~ 1.5m (Tele)
Shutter	Auto, Manual (adjustment range: 1/30s-1/32000s)
DSS	Available
Day/Night Switch	ICR- Automatic removable IR cut filter
Sensitivity	Color mode: 0.002 lux @ F1.2; B/W mode: 0 lux (IR ON)

Video

Compression	H.265 /H.264 switchable M-JPEG independent encoding
Encoding Capability	1080P@30fps+720P@30fps+MJPEG1080P@5fps

Audio

Compression	ADCPM/G.726/G.711a/G.711u
Sampling rate	8KHz, 12KHz, 16KHz, 24KHz, 44KHz, 48KHz optional
Port	1 input, linear level, impedance: 1kΩ 1 output, linear level, impedance: 600Ω

Camera

White Balance	Auto/Manual/Outdoor
WDR	Supports multi-frame composite pattern wide dynamic with a range up to 120dB
Video Adjustment	Brightness, contrast, saturation, chroma, sharpness, BLC, Exposure Control, AGC, White Balance, Hue, HLC
Noise Reduction	3D
Defog	Available
Stabilization	Available
Mirror	Horizontal, vertical
Backlight Compensation	Available
Light Restrain	Available
Privacy Mask	Up to 4 privacy areas
ROI	Up to 8 regions
Smart Video Analysis	Wire cross, intrusion, scene change, defocus,

	too-dark and too-bright detecting
Timing Function	Timing snapshot, timing recording
Storage	
Inbuilt	Supports a TF card with a capacity up to 128 GB; Able to store snapshots and recordings (supports alarm recording/snapshot, timing recording/snapshot, event recording/snapshot including network disconnection)
Mirror	Supports automatic uploading of SD card network disconnection video to VMS or NVR after network recovery

Alarm

Port	2 alarm inputs, 1 switching value output
Input	I/O input, network disconnecting, motion detection, video tampering, smart alarm
Link	I/O output, email, picture snapshot, FTP picture uploading, audio, TF card recording, push alarm information

IR Lamp

Wave Length	850nm
Night Vision Distance	120m

Pan/Tilt Functions

Preset	1~512
Pattern	4
Autopan	4
Normal Tour	6 groups (each tour can link to 14 acts for which you can select among Presets 1~32, Patterns 1~4 and Autopans 1~4)
Home Return	Available
Timing Tour	Available
Autoscan	Available
Area Zoom	Available

System Functions

Operating System	Supports Windows XP, Windows Vista, Win7, or Win8 operating system
Browser	IE7, IE8, IE9, IE10

Access Protocol	ONVIF2.4, CGI, ONVIF Profile S & G
Web Server	Available
Remote Network Upgrade	Available
Password Protection	Available
RS485 Port	Supports 1*RS485
Analog Video Output	Supports 1*BNC port
IP	
Port	1*RJ45 10/100M self-adaptive Ethernet port
Protocol	IPv6, TCP, UDP, IGMP, DHCP, FTP, SNMP (V3), SMTP, NTP, RTP, RTSP, RTCP, HTTP, HTTPS, TSL, SSL, QoS, PPPoE, DNS, DDNS, ARP, ICMP, UPnP
Mechanical	
Manual Horizontal Speed	0.1° ~ 180°/s
Manual Vertical Speed	0.1° ~ 140°/s
Preset Speed	Up to 245°/s
Horizontal Scan Angle	360° continuous scanning
Vertical Scan Angle	0° ~ 180° (auto-flip)
Preset Accuracy	<0.1°
Electric Motor	Stepping motor
Electrical	
Power Supply	24VAC/24VDC self-adaptive

Power	<35W (IR OFF) <63W (IR ON)
Surge Protection	Available, ±4000V
Environmental	
Operating Temperature	-40°C ~ +60°C
Operating Humidity	0 ~ 90%RH (non-condensing)
Mounting	Wall, pole and corner mount
Physical	
Product Dimension (H x D)	Height 370.7mm x Φ229.6mm
Package Dimension (L x W x H)	485mm x 280mm x 300mm
Housing Material	Die Cast Aluminium
Product Net Weight	5.8kg
Shipping Weight	7.6kg
Certifications and Approval	
Product Certifications	CE/EMC: EN 55022, EN 55024, EN61000-3-2,61000-3-3, FCC: Part15 Subpart B,UL,IP66, IK10, ONVIF Profile G

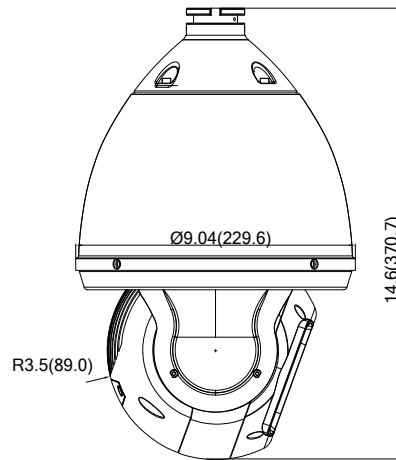
Ordering information

VT231-A222-A331	HD IR IP dome cameras, 2.0M, 22X, 1/1.9" CMOS, day/night, H.265/H.264/MJPEG, with audio alarm, indoor, ceiling mount, clear bubble, 24VDC/24VAC
VT231-A222-A351	HD IR IP dome cameras, 2.0M, 22X, 1/1.9" CMOS, day/night, H.265/H.264/MJPEG, with audio alarm, indoor, bracket mount, clear bubble, 24VDC/24VAC
VT231-A222-A341	HD IR IP dome cameras, 2.0M, 22X, 1/1.9" CMOS, day/night, H.265/H.264/MJPEG, with audio alarm, outdoor, ceiling mount, clear bubble, 24VDC/24VAC
VT231-A222-A361	HD IR IP dome cameras, 2.0M, 22X, 1/1.9" CMOS, day/night, H.265/H.264/MJPEG, with audio alarm, outdoor, bracket mount, clear bubble, 24VDC/24VAC

Accessories

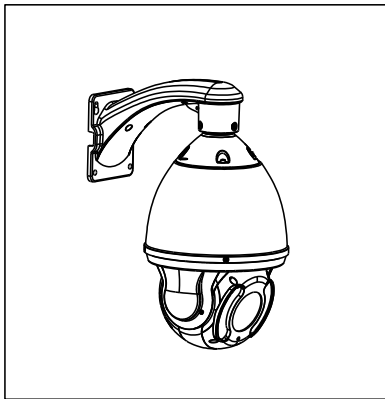
V1761K	Wall Mount, bayonet, 10 inches
V1762K	Corner Mount, bayonet, 10 inches
V1763K	Pole-side Mount, bayonet, 10 inches

Dimensions

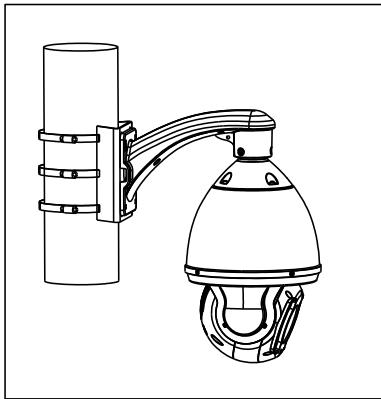


(Unit: inch, in the parentheses is mm)
The images are subject to the actual products

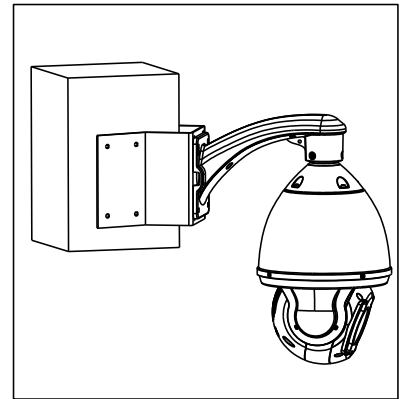
Mounting



Wall Mounting



Pole Mounting



Corner Mounting